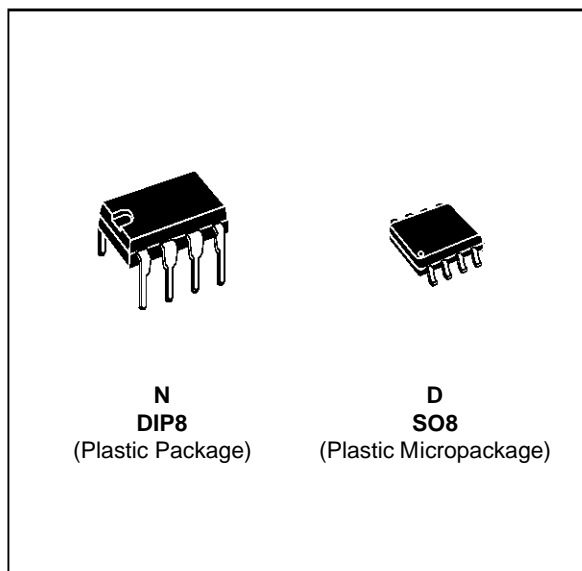


WIDE BANDWIDTH AND BIPOLAR INPUTS SINGLE OPERATIONAL AMPLIFIER

- LOW DISTORTION
- GAIN BANDWIDTH PRODUCT : 150MHz
- UNITY GAIN STABLE
- SLEW RATE : 190V/ μ s
- VERY FAST SETTTLING TIME : 20ns (0.1%)



DESCRIPTION:

The TSH150 is a wideband monolithic operational amplifier, internally compensated for unity-gain stability.

Low noise and low distortion, wide bandwidth and high linearity make this amplifier suitable for RF and video applications. Short circuit protection is provided by an internal current-limiting circuit.

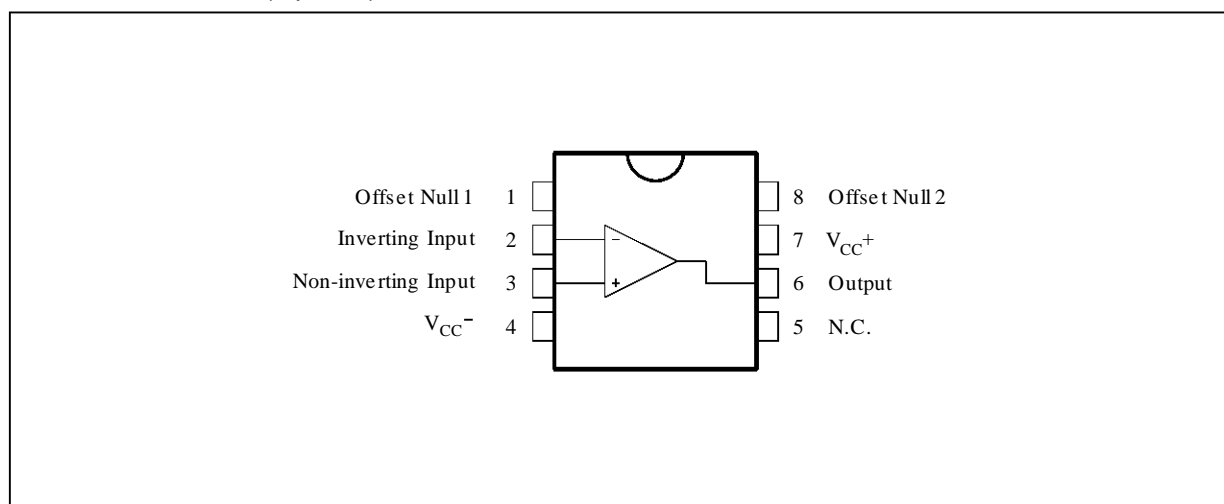
The TSH150 has internal electrostatic discharge (ESD) protection circuits and fulfills MILSTD883C-Class2.

ORDER CODES

Part Number	Temperature Range	Package	
		N	D
TSH150C	0°C, 70°C	•	•
TSH150I	-40°C, 105°C	•	•
TSH150M	-55°C, 125°C	•	•

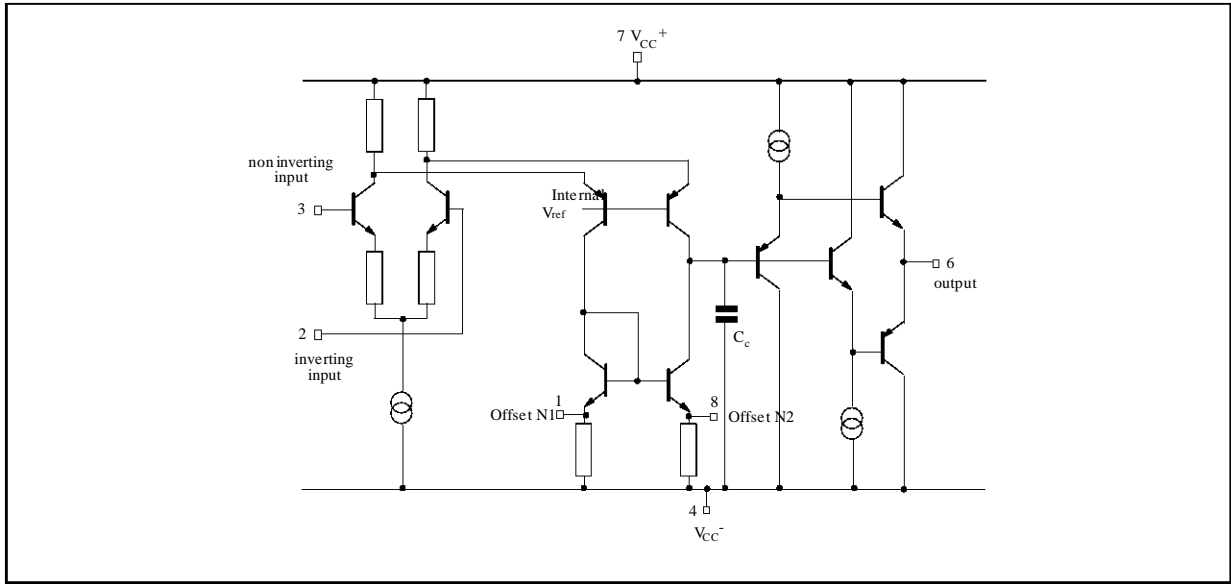
150-01.TBL

PIN CONNECTIONS (top view)

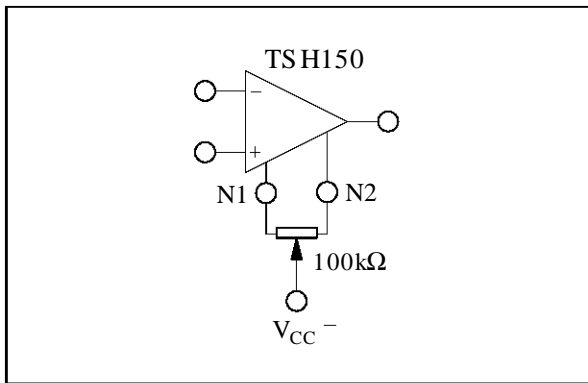


150-01.EPS

SCHEMATIC DIAGRAM



INPUT OFFSET VOLTAGE NULL CIRCUIT



ABSOLUTE MAXIMUM RATINGS

Symbol	Parameter	Value	Unit	
V _{CC}	Supply Voltage	±7	V	
V _{id}	Differential Input Voltage	±5	V	
V _i	Input Voltage Range	±5	V	
I _{in}	Current On Inputs Current On Offset Null Pins	±50 ±20	mA	
T _{oper}	Operating Free-Air Temperature Range	TSH150C TSH150I TSH150M	0 to +70 -40 to +105 -55 to +125	°C
T _{stg}	Storage Temperature Range	-65 to 150	°C	

OPERATING CONDITIONS

Symbol	Parameter	Value	Unit
V _{CC}	Supply Voltage	±3 to ±6	V
V _{ic}	Common Mode Input Voltage Range	V _{CC} ⁻ +2 to V _{CC} ⁺ -1	V

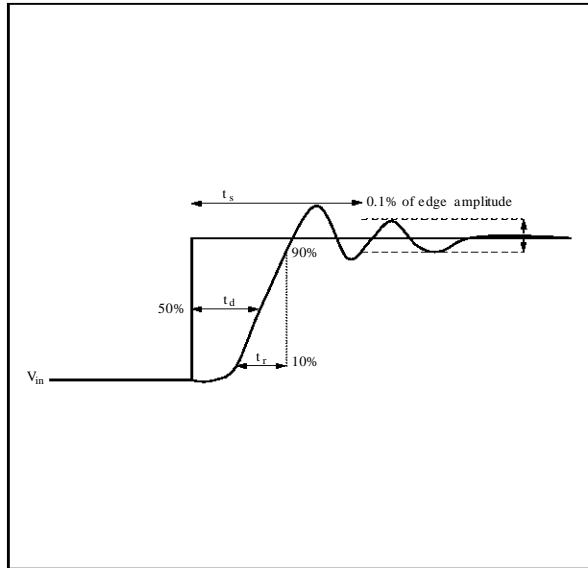
ELECTRICAL CHARACTERISTICS $V_{CC} = \pm 5V$, $T_{amb} = 25^{\circ}C$ (unless otherwise specified)

Symbol	Parameter	TSH150C, I, M			Unit
		Min.	Typ.	Max.	
V_{io}	Input Offset Voltage $T_{min} \leq T_{amb} \leq T_{max}$.		0.3	5 7	mV
DV_{io}	Input Offset Voltage Drift $T_{min} \leq T_{amb} \leq T_{max}$.		10		$\mu V/^{\circ}C$
I_{ib}	Input Bias Current		5	30	μA
I_{io}	Input Offset Current		0.1	2	μA
I_{CC}	Supply Current, no load $T_{min} \leq T_{amb} \leq T_{max}$.		$V_{CC} = \pm 5V$ 23 $V_{CC} = \pm 3V$ 21 $V_{CC} = \pm 6V$ 25 $V_{CC} = \pm 5V$ 32	30 28 40 32	mA
A_{vd}	Large Signal Voltage Gain $V_o = \pm 2.5V$ $R_L = \infty$ $R_L = 100\Omega$ $R_L = 50\Omega$	800 300 200	1300 850 650		V/V
V_{icm}	Input Common Mode Voltage Range	-3 to +4	-3.5 to +4.5		V
CMR	Common Mode Rejection Ratio $V_{ic} = V_{icm min.}$	60	100		dB
SVR	Supply Voltage Rejection Ratio $V_{CC} = \pm 5V$ to $\pm 3V$	50	70		dB
V_o	Output Voltage $T_{min} \leq T_{amb} \leq T_{max}$.	$R_L = 100\Omega$ ± 3 $R_L = 50\Omega$ ± 2.8 $R_L = 100\Omega$ ± 2.9 $R_L = 50\Omega$ ± 2.7	+3.5 -3.7 +3.3 -3.5		V
I_o	Output Short Circuit Current $V_{id} = \pm 1V$, $V_o = 0V$	± 50	± 100		mA
GBP	Gain Bandwidth Product $A_{VCL} = 100$, $R_L = 100\Omega$, $C_L = 15pF$, $f = 7.5MHz$		150		MHz
SR	Slew Rate $V_{in} = \pm 2V$, $A_{VCL} = 1$, $R_L = 100\Omega$, $C_L = 15pF$	100	190		V/ μs
e_n	Equivalent Input Voltage Noise $R_S = 50\Omega$ $f_o = 1kHz$ $f_o = 10kHz$ $f_o = 100kHz$ $f_o = 1MHz$		7 6.5 6.2 5.5		$\frac{nV}{\sqrt{Hz}}$
K_{ov}	Overshoot $V_{in} = \pm 2V$, $A_{VCL} = 1$, $R_L = 100\Omega$, $C_L = 15pF$		5		%
t_s	Settling Time 0.1% - (note 1) $V_{in} = \pm 1V$, $A_{VCL} = -1$		20		ns
t_r , t_f	Rise and Fall Time - (note 1) $V_{in} = \pm 100mV$, $A_{VCL} = 2$		3.5		ns
t_d	Delay Time - (note 1) $V_{in} = \pm 100mV$, $A_{VCL} = 2$		2.5		ns
ϕ_m	Phase Margin $A_{VM} = 1$, $R_L = 100\Omega$, $C_L = 15pF$		50		Degrees
THD	Total Harmonic Distortion $A_{VCL} = 10$, $f = 1KHz$, $V_o = \pm 2.5V$, no load		0.02		%
FPB	Full Power Bandwidth - (note 2) $V_o = 5V_{pp}$, $R_L = 100\Omega$ $V_o = 2V_{pp}$, $R_L = 100\Omega$		12 30		MHz

Note 1 : See test waveform figure

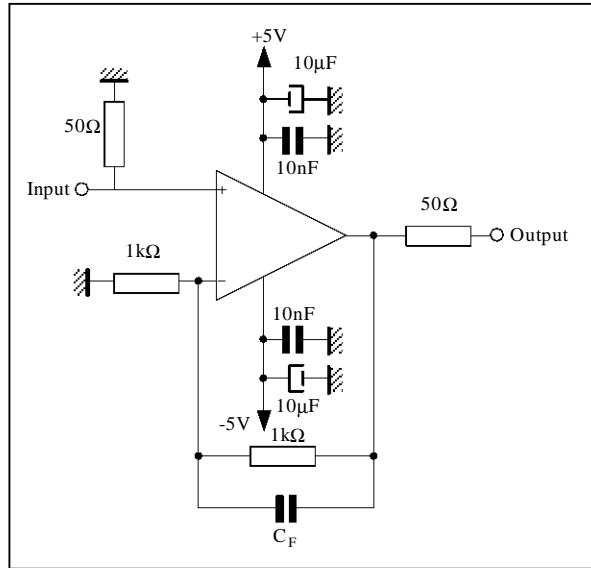
Note 2 : Full power bandwidth = $\frac{SR}{\pi V_{opp}}$

TEST WAVEFORM



150-04.EPS

EVALUATION CIRCUIT



150-05.EPS

PRINTED CIRCUIT LAYOUT

As for any high frequency device, a few rules must be observed when designing the PCB to get the best performances from this high speed op amp.

From the most to the least important points :

- Each power supply lead has to be bypassed to ground with a 10nF ceramic capacitor very close to the device and a 10μF tantalum capacitor.
- To provide low inductance and low resistance common return, use a ground plane or common point return for power and signal.
- All leads must be wide and as short as possible especially for op amp inputs. This is in order to decrease parasitic capacitance and inductance.
- Use small resistor values to decrease time constant with parasitic capacitance. Be aware on TSH150 device of the I_{iO} error and input noise currents with high feedback resistor values.
- Choose component sizes as small as possible (SMD).
- On output, decrease capacitor load so as to avoid circuit stability being degraded which may cause oscillation. You can also add a serial resistor in order to minimise its influence.
- One can add in parallel with feedback resistor a few pF ceramic capacitor C_F adjusted to optimize the settling time.

MACROMODEL

- LOW DISTORTION
- GAIN BANDWIDTH PRODUCT : 150MHz
- UNITY GAIN STABLE
- SLEW RATE : 190V/μs
- VERY FAST SETTLING TIME : 20ns (0.1%)

Applies to : TSH150C,I,M

** Standard Linear Ics Macromodels, 1993.

** CONNECTIONS :

* 1 INVERTING INPUT

* 2 NON-INVERTING INPUT

* 3 OUTPUT

* 4 POSITIVE POWER SUPPLY

* 5 NEGATIVE POWER SUPPLY

.SUBCKT TSH150 1 3 2 4 5 (analog)

.MODEL MDTH D IS=1E-8 KF=1.568191E-15 CJO=10F

* INPUT STAGE

CIP 2 5 1.000000E-12

CIN 1 5 1.000000E-12

EIP 10 5 2 5 1

EIN 16 5 1 5 1

RIP 10 11 1.040000E+02

RIN 15 16 1.040000E+02

RIS 11 15 3.264539E+02

DIP 11 12 MDTH 400E-12

DIN 15 14 MDTH 400E-12

VOFP 12 13 DC -9.162265E-05

VOFN 13 14 DC 0

IPOL 13 5 1.000000E-03

CPS 11 15 5.757255E-12

DINN 17 13 MDTH 400E-12

VIN 17 5 1.5000000E+00

DINR 15 18 MDTH 400E-12

VIP 4 18 0.500000E+00

FCP 4 5 VOFP 2.200000E+01

FCN 5 4 VOFN 2.200000E+01

FIBP 2 5 VOFP 1.000000E-02

FIBN 5 1 VOFN 1.000000E-02

* AMPLIFYING STAGE

FIP 5 19 VOFP 4.370000E+02

FIN 5 19 VOFN 4.370000E+02

RG1 19 5 1.124121E+03

RG2 19 4 1.124121E+03

CC 19 29 2.000000E-09

HZTP 30 29 VOFP 5.574976E+01

HZTN 5 30 VOFN 5.574976E+01

DOPM 19 22 MDTH 400E-12

DONM 21 19 MDTH 400E-12

HOPM 22 28 VOUT 5.000000E+02

VIPM 28 4 5.000000E+01

HONM 21 27 VOUT 5.000000E+02

VINM 5 27 5.000000E+01

EOUT 26 23 19 5 1

VOUT 23 5 0

ROUT 26 3 2.180423E+01

COUT 3 5 1.000000E-12

DOP 19 25 MDTH 400E-12

VOP 4 25 1.511965E+00

DON 24 19 MDTH 400E-12

VON 24 5 1.511965E+00

.ENDS

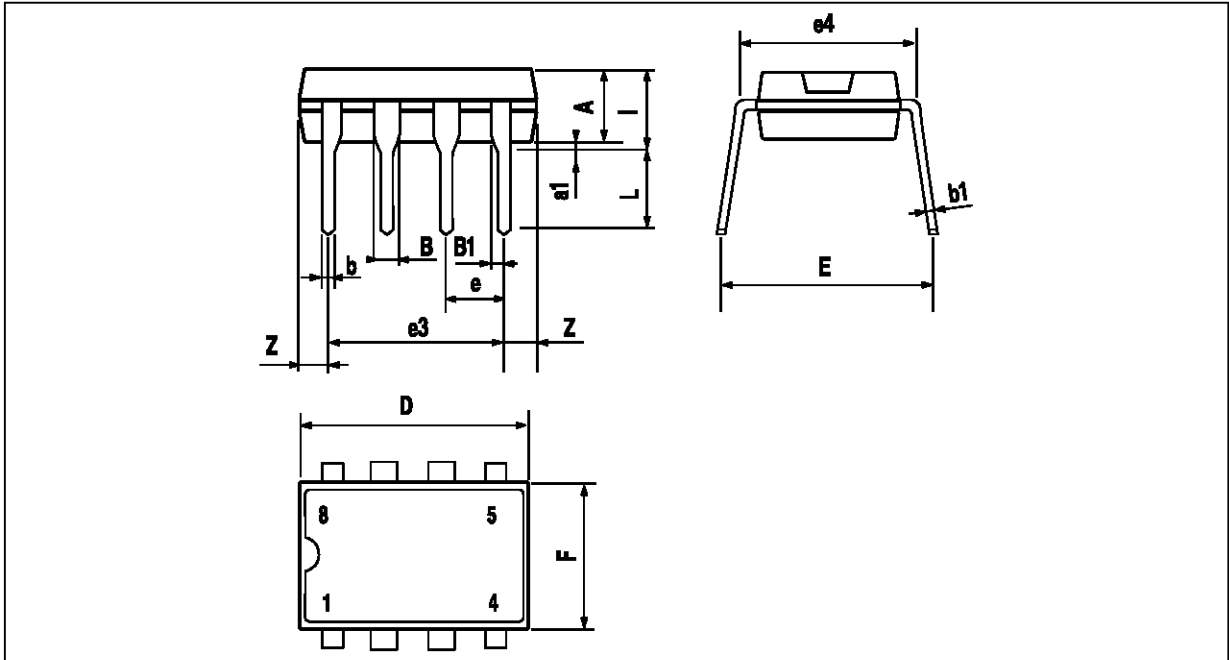
ELECTRICAL CHARACTERISTICS

$V_{CC} = \pm 5V$, $T_{amb} = 25^{\circ}C$ (unless otherwise specified)

Symbol	Conditions	Value	Unit
V_{io}		0	mV
A_{vd}	$R_L = 100\Omega$	1	V/mV
I_{CC}	No load	21	mA
V_{icm}		-3.5 to 4.5	V
V_{OH}	$R_L = 100\Omega$	+3.6	V
V_{OL}	$R_L = 100\Omega$	-3.6	V
I_{sink}	$V_O = 0V$	108	mA
I_{source}	$V_O = 0V$	108	mA
GBP	$R_L = 100\Omega$, $C_L = 15pF$	147	MHz
SR	$R_L = 100\Omega$, $C_L = 15pF$	180	V/μs
\varnothing_m	$R_L = 100\Omega$, $C_L = 15pF$	42	Degrees
t_s	$A_V = -1$ at 0.1%	22.6	ns

TSH150

PACKAGE MECHANICAL DATA 8 PINS - PLASTIC DIP

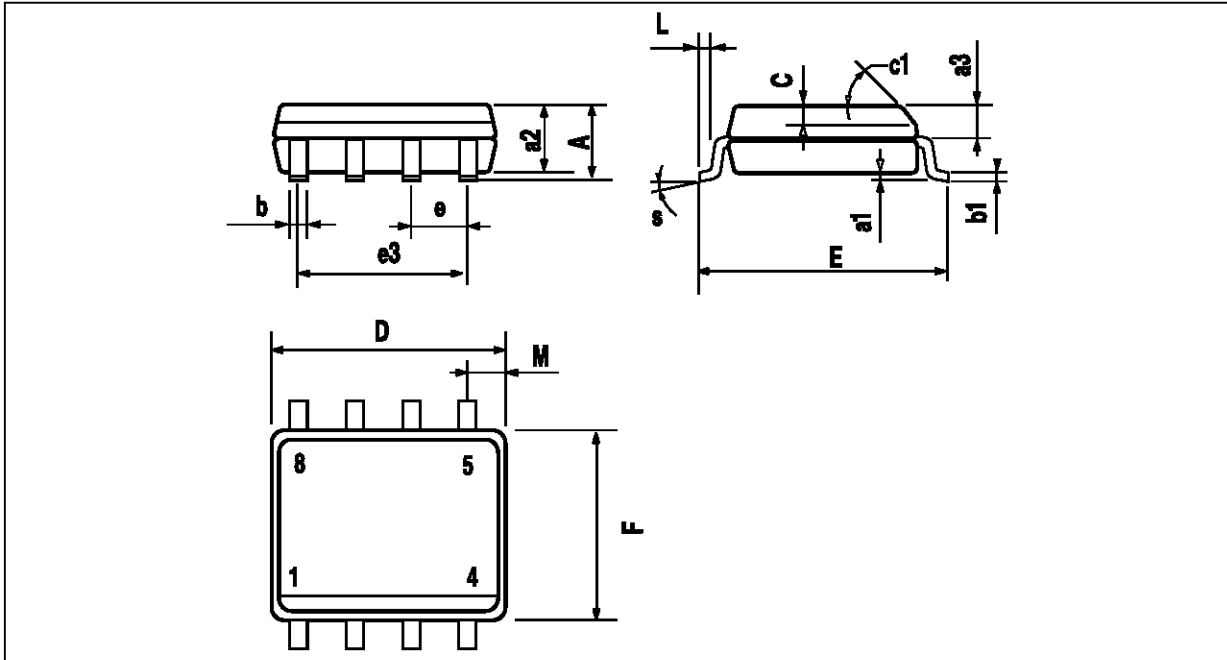


PM-DIP8.EPS

Dimensions	Millimeters			Inches		
	Min.	Typ.	Max.	Min.	Typ.	Max.
A		3.32			0.131	
a1	0.51			0.020		
B	1.15		1.65	0.045		0.065
b	0.356		0.55	0.014		0.022
b1	0.204		0.304	0.008		0.012
D			10.92			0.430
E	7.95		9.75	0.313		0.384
e		2.54			0.100	
e3		7.62			0.300	
e4		7.62			0.300	
F			6.6			0.260
i			5.08			0.200
L	3.18		3.81	0.125		0.150
Z			1.52			0.060

DIP8.TBL

PACKAGE MECHANICAL DATA
8 PINS - PLASTIC MICROPACKAGE (SO)



PM-SO8.EPS

Dimensions	Millimeters			Inches		
	Min.	Typ.	Max.	Min.	Typ.	Max.
A			1.75			0.069
a1	0.1		0.25	0.004		0.010
a2			1.65			0.065
a3	0.65		0.85	0.026		0.033
b	0.35		0.48	0.014		0.019
b1	0.19		0.25	0.007		0.010
C	0.25		0.5	0.010		0.020
c1	45° (typ.)					
D	4.8		5.0	0.189		0.197
E	5.8		6.2	0.228		0.244
e		1.27			0.050	
e3		3.81			0.150	
F	3.8		4.0	0.150		0.157
L	0.4		1.27	0.016		0.050
M			0.6			0.024
S	8° (max.)					

SO8.TBL

Information furnished is believed to be accurate and reliable. However, SGS-THOMSON Microelectronics assumes no responsibility for the consequences of use of such information nor for any infringement of patents or other rights of third parties which may result from its use. No licence is granted by implication or otherwise under any patent or patent rights of SGS-THOMSON Microelectronics. Specifications mentioned in this publication are subject to change without notice. This publication supersedes and replaces all information previously supplied. SGS-THOMSON Microelectronics products are not authorized for use as critical components in life support devices or systems without express written approval of SGS-THOMSON Microelectronics.

© 1995 SGS-THOMSON Microelectronics - All Rights Reserved

SGS-THOMSON Microelectronics GROUP OF COMPANIES

Australia - Brazil - France - Germany - Hong Kong - Italy - Japan - Korea - Malaysia - Malta - Morocco - The Netherlands
 Singapore - Spain - Sweden - Switzerland - Taiwan - Thailand - United Kingdom - U.S.A.

ORDER CODE :